

## Features

Truck	Standard	Options
1150mm fork length-570mm outside fork width	●	
PU load wheel	●	
Electronic lifting limitation	●	
Maintenance-free Lead-acid battery	●	
Iron-Phosphate lithium battery	●	
Build-in charger	●	
Upright-tiller creep speed	●	
Dual load wheels	●	
1150mm fork length-690mm outside fork width		○
Controls and instruments		
Metric instrument	●	
SOC instrument	●	
Imperial instrument		○
Optional features of weighing instrument: Printing, Bluetooth and Wifi		○
Safety		
Emergency disconnect switch	●	
Horn	●	
Interlock switches use non-contact proximity switches	●	



### HANGCHA GROUP CO., LTD.

Factory site: 666 Xiangfu Road,  
Hangzhou, Zhejiang, China (311305)

Tel: +86-571-88926735 88926755  
Fax: +86-571-88926789 88132890

sales@hcforklift.com www.hcforklift.com

HANGCHA GROUP CO., LTD. reserves the right to make any changes without notice concerning colors, equipment, or specifications detailed in this brochure, or to discontinue individual models. The colors of trucks, delivered may differ slightly from those in brochures.



Follow us on  
Facebook



Follow us on  
YouTube



Follow us on  
WeChat



Download "Hangcha  
Forklift" App



ISO 45001  
ISO 45001:2018



ISO 14001  
ISO 14001:2015



ISO 9001  
ISO 9001:2015



HANGCHA trucks conform to the European Safety Requirements.



# A SERIES

ELECTRIC PALLET TRUCK WITH  
WEIGHING SYSTEM

With capacity of 1,500 to 2,000kg

# A SERIES ELECTRIC PALLET TRUCK WITH WEIGHING SYSTEM

The A Series 1.5t-2.0t electric pallet truck with weighing system is a new generation product developed by Hangcha for warehouse logistics applications. It adopts the latest permanent magnet drive technology, offering advanced performance, comfortable operation, and high reliability. It features a high-performance weighing system with high precision and stable weighing, digital high-definition display, and anti-collision design for higher reliability.



## APPEARANCE

- The A Series mini pallet truck adopts professional industrial design, with smooth lines, dynamic shape, compact size, and ergonomics in mind, in line with the latest design trends.
- It extensively uses sheet metal stamping and injection molding processes, making it robust, durable, high-grade, and environmentally friendly.

## COMFORT

- The built-in charger is designed for easy charging (Std.).
- The truck has compact size, lightweight, and highly maneuverable, with a upright-tiller creep speed feature, allowing operation in very narrow passages, such as inside containers.
- The lithium battery can be easily removed from the side for convenient replacement.



The optimized structure ensures excellent operator visibility.



## HIGH PERFORMANCE

- Powerful, with a load capacity of 1.5/2.0 tons, meeting the handling needs of the vast majority of customers.
- The truck adopts permanent magnet traction motor with excellent performance and low heat generation.
- Permanent magnet control system for outstanding control performance, high efficiency, and stability.

Key components such as controllers, handles, hydraulic pump stations, switches, connectors, and instruments are all mature and stable products.



It adopts a high-performance weighing system with four built-in sensors for high precision and stable weighing, with a measurement error within 0.5%.



# PROTECT YOUR INVESTMENT

## SAFETY

- It features release braking, reverse braking, and emergency braking to ensure driving safety.
- Hill descent protection ensures operational safety.



Standard electronic lifting limit and intelligent limit protection from the controller avoid impact when lifting to the top, effectively protecting the working motor and the safety of the cargo.



The emergency reverse button at the head of the tiller can effectively prevent the operator from injury when driving backward in an emergency.



## MAINTENANCE

- Lead-acid models come with maintenance-free batteries, eliminating the need for maintenance.
- SOC of the battery display prompts users to charge in a timely manner.
- The hood can be easily opened for clear visibility of components, making maintenance very convenient.
- All pivots are equipped with lubricated bushings and oil cups for easy maintenance and long service life.



## RELIABILITY

- The truck adopts a three-point design with additional wheels for safety and reliability.
- The mast system is optimized for smooth and reliable operation with minimal stress.
- All plugs use well-known brands, and all wires and cables are reliably protected, greatly improving the reliability of the electrical system.

Mature and stable hydraulic power units with low noise, low vibration, and smooth and reliable lifting and lowering.



High-strength forks with higher strength and impact resistance, combined with fork tip guidance to further improve work efficiency.



Interlock switches use non-contact proximity switches for extremely high reliability.



# LITHIUM POWERED

## EMPOWER YOURSELF WITH THE BEST



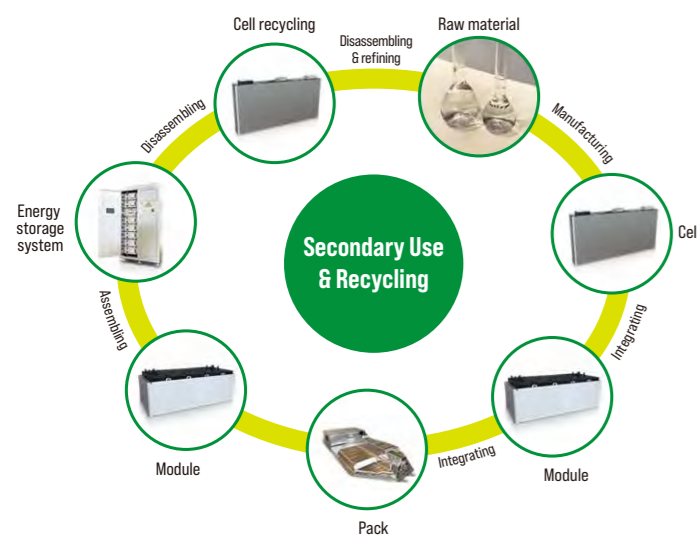
Li  
Lithium

POWER THE POSSIBILITIES  
RELIABLE LITHIUM-ION TECHNOLOGY

## FEATURES & BENEFITS THE HANGCHA DIFFERENCE

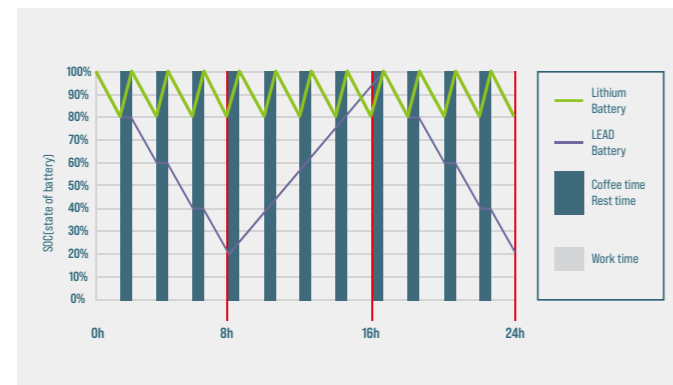
### Safety

- / Intelligent battery management monitoring every important function.
- / Higher user safety, thanks to acid-free use.
- / User friendly due to avoided battery change.
- / No emission of battery gasses.



### Efficiency

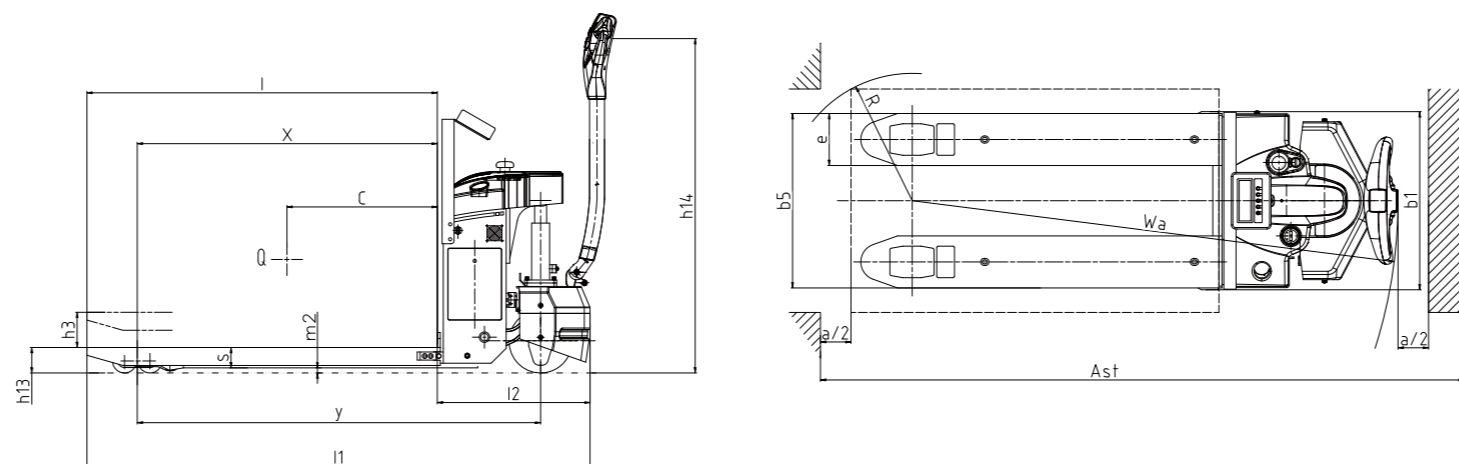
By quick opportunity charging any downtime, such as a lunch break, can be efficiently used and the battery is recharged in a very short period of time. Interim charging does not affect the battery service life.



### Technical data

Distinguishing mark	HANGCHA GROUP CO., LTD.					
		CBD15-A3MC2-CZ	CBD15-A3MC2-ICZ	CB020-A3MA-CZ	CB020-A3MA-ICZ	
1.1	Manufacturer					
1.2	Manufacturer's type designation					
1.3	Drive: electric (battery type, mains, ...), diesel, petrol, fuel gas	electric	electric	electric	electric	
1.4	Operator type: hand, pedestrian, standing, seated, order-picker	pedestrian	pedestrian	pedestrian	pedestrian	
1.5	Rated capacity/rated load	kg	1500	1500	2000	
1.6	Load centre distance	c (mm)	600	600	600	
1.9	Wheelbase	y (mm)	1342	1342	1342	
2.1	Service weight	kg	220	180	240	200
3.1	Tyres: solid rubber, superelastic, pneumatic, polyurethane	PU	PU	PU	PU	
3.2	Tyre size, front	mm	Ø210-70	Ø210-70	Ø210-70	Ø210-70
3.3	Tyre size, rear	mm	Ø80-90	Ø80-90	Ø80-90	Ø80-90
3.4	Additional wheels (dimensions)	mm	Ø70-40	/	Ø70-40	Ø70-40
3.5	Wheels, number front/rear [= driven wheels]		1X-2/4	1X-0/4	1X-2/4	1X-2/4
3.6	Tread, front	b10 (mm)	404	/	404	404
3.7	Tread, rear	b11 (mm)	370	370	370	370
4.4	Lift	h3 (mm)	115	115	115	115
4.15	Height, lowered	h13 (mm)	85	85	85	85
4.19	Overall length	l1 (mm)	1675	1675	1675	1675
4.20	Length to face of forks	l2 (mm)	653	653	653	653
4.21	Overall width	b1/b2 (mm)	582	582	582	582
4.22	Fork dimensions DIN ISO 2331	s / e / l (mm)	60/170/1150	60/170/1150	60/170/1150	60/170/1150
4.25	Fork spread	bs (mm)	570	570	570	570
4.32	Ground clearance, centre of wheelbase	m2 (mm)	17	17	17	17
4.34.1	Aisle width for pallets 1000 x 1200 crossways	Ast (mm)	1733[2054] <sup>1]</sup>	1733[2054] <sup>1]</sup>	1733[2054] <sup>1]</sup>	1733[2054] <sup>1]</sup>
4.34.2	Aisle width for pallets 800 x 1200 lengthways	Ast (mm)	1762[2211] <sup>2]</sup>	1762[2211] <sup>2]</sup>	1762[2211] <sup>2]</sup>	1762[2211] <sup>2]</sup>
4.35	Turning radius	Wa (mm)	1564	1564	1564	1564
5.1	Travel speed, laden/unladen	km/h	4.5/4.8	4.5/4.8	4.5/4.8	4.5/4.8
5.2	Lift speed, laden/unladen	mm/s	50/60	50/60	35/48	35/48
5.3	Lowering speed, lade/unladen	mm/s	40/45	40/45	40/35	40/35
5.8	Max. gradeability, laden/unladen	%	6/15	6/15	6/15	6/15
6.1	Drive motor rating S2 60 min	kW	0.65	0.65	0.65	0.65
6.2	Lift motor rating at S3 15 %	kW	0.8	0.8	0.8	0.8
6.4	Battery voltage/nominal capacity	[V]/[Ah] or kWh	2-12/85	24/40	2-12/100	24/40
6.5	Battery weight	kg	25.8	9.5	26	9.5

Note: 1] According to VDI2198 standard + 321mm. 2] According to VDI2198 standard + 449mm.



SIMPLE/  
SMART

