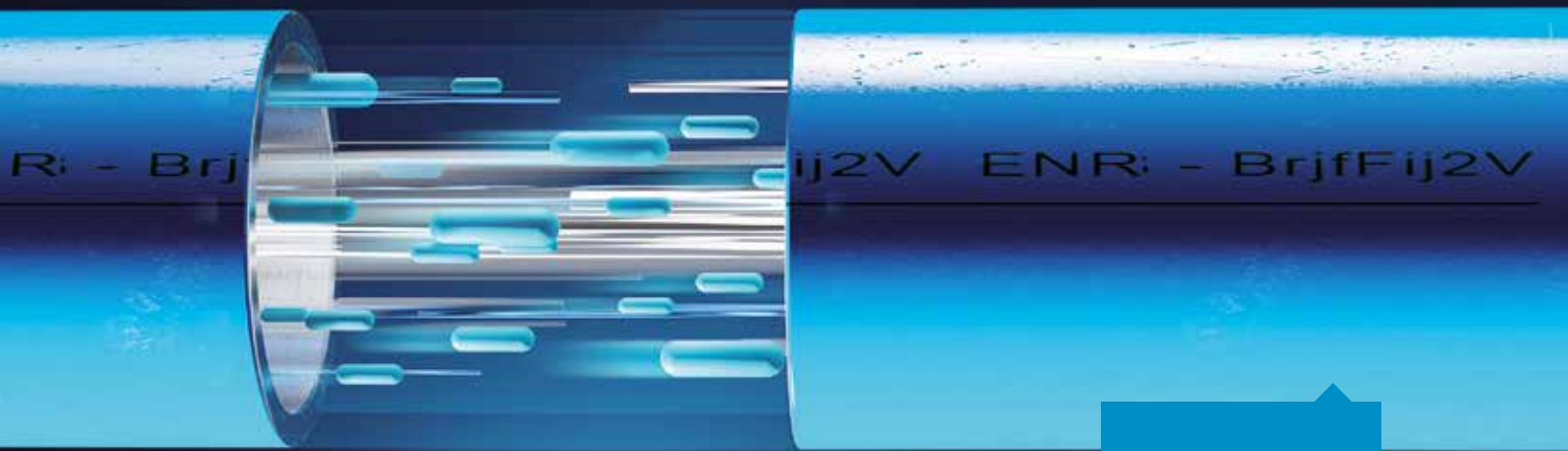


AIRNET



Compressed air
Vacuum
Nitrogen

Aluminium

Your production deserves
an optimal air piping system



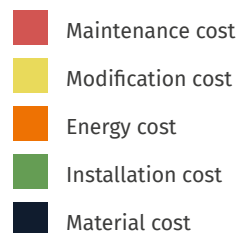
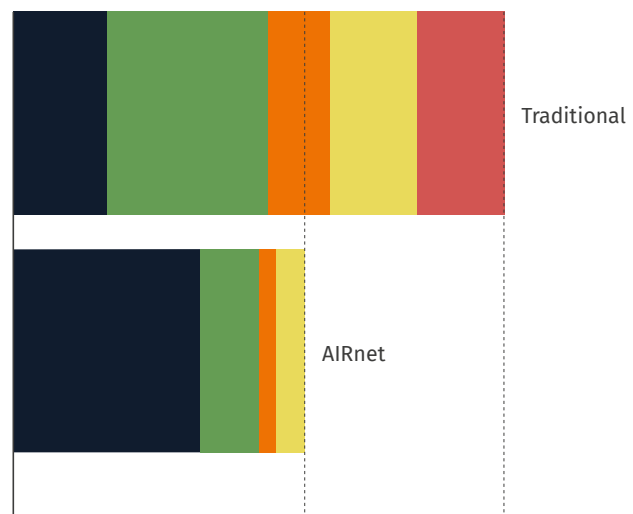
Your production
deserves an optimal
air piping system

Optimized production, maximized energy efficiency and minimized total cost

The optimal piping network is sized, planned and installed to support sustainable operational excellence in the production process. Material and product design, installation and maintenance costs; flexibility and safety. They all influence your total cost of ownership and the level of efficiency in your production.

If you are looking for a high performing and effortless system that can be customized to fit any production site, AIRnet will turn out to be the best investment choice you can make. It is a high-end aluminum system specially designed to save the money that other piping systems spend.

Total Cost of Ownership



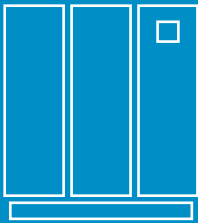


01

Continuous airflow

The AIRnet system is designed with leak-proof connections that prevent losses in flow and energy. Non-corrosive aluminum pipes and full-bore fittings ensure a smooth and sustainable flow throughout the network. Losses due to friction are reduced to a minimum.

From supply
to point of use

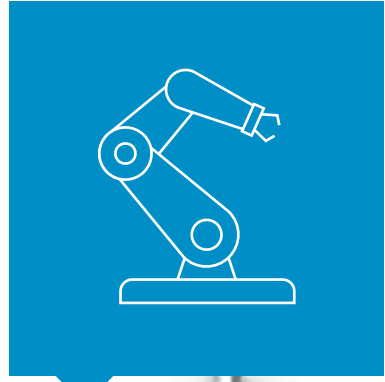


Keeps the pressure up

02

Did you know that a pressure drop of 1 bar results in a 7% increase of your energy consumption? To avoid such losses you need to ensure that your piping system is properly sized, leak-free and retains the pressure. AIRnet is an engineered aluminum piping system that can be sized and planned to deliver the desired pressure for a variety of high performing applications.

AIRnet offers the lowest total cost of ownership over time. It is the optimal solution for any application.



Sustainable air quality

AIRnet is a non-corrosive, durable system that does not affect the quality of the gases transported. This minimizes maintenance costs and also costs related to protection of down stream equipment, processes and applications.

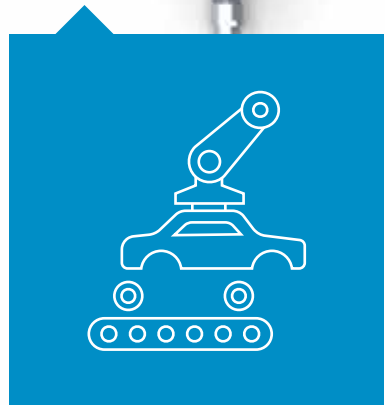
03



04

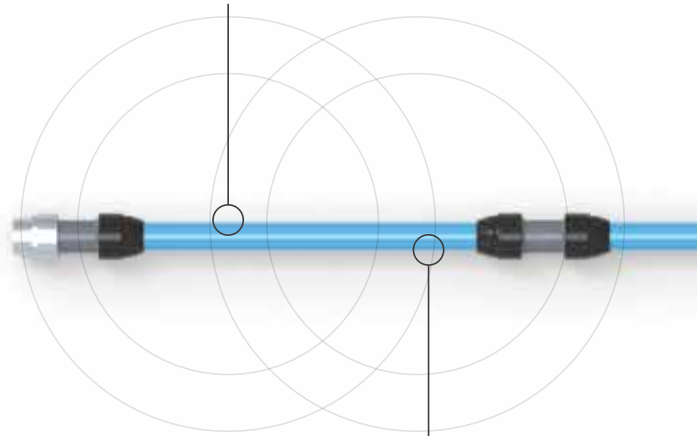
Dynamic design

The ideal piping system can be connected to any existing network and it can be modified easily to meet any changes on the industrial floor. AIRnet answers these needs with a wide range of interchangeable and reusable fittings designed to support upgrades in layout and capacity. That makes AIRnet fast to install, easy to adapt and cost efficient.



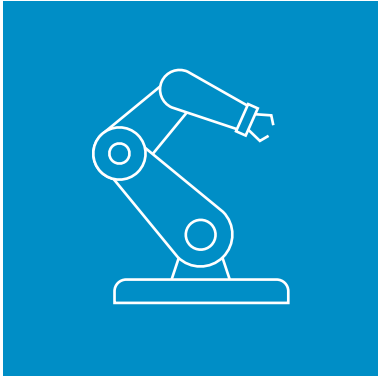


No
maintenance



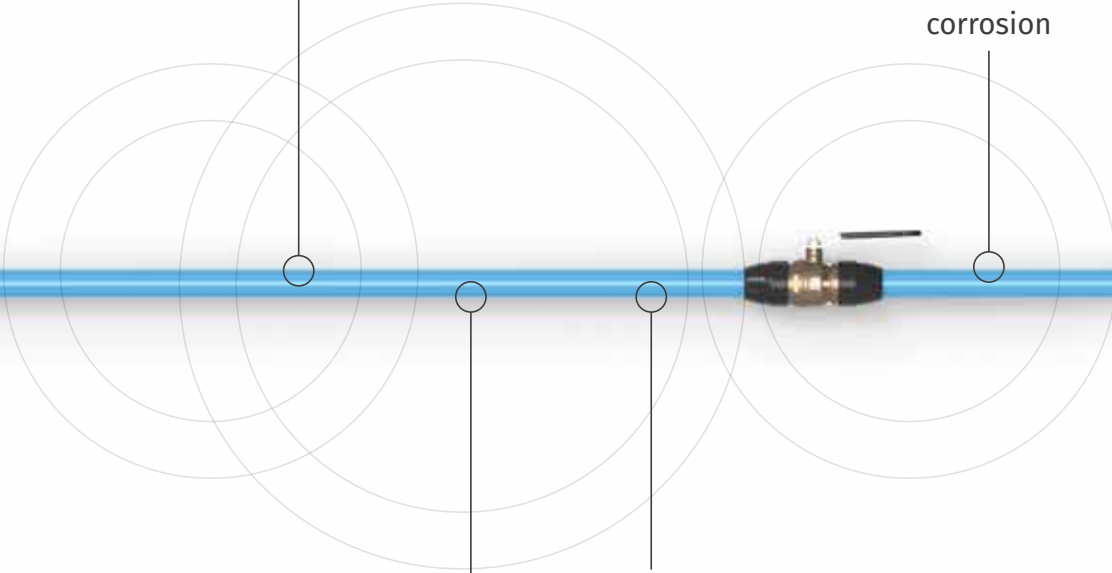
70%
faster
to install

AIrnet offers the lowest total cost of ownership over time. It is the optimal solution for any application.



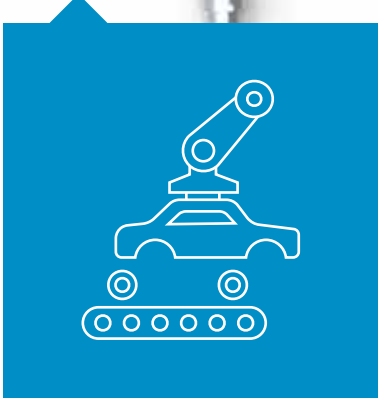
100%
reusable
modular design

No
corrosion



7
times lighter

Impressive
energy savings





Guarantee

10
years

In line with the high quality performance of the AIRnet product range, we provide our customers with a 10 year guarantee on the AIRnet fittings and aluminum pipes against material defect.

To achieve the lowest Total Cost of Ownership AIRnet offers

- ✓ High quality materials
- ✓ High energy efficiency
- ✓ Optimal operational performance
- ✓ Low operational costs
- ✓ Low installation costs
- ✓ Low modification costs
- ✓ Safety

AIRNET

Preserving the power of air

Your Dealer



www.airnet-system.com